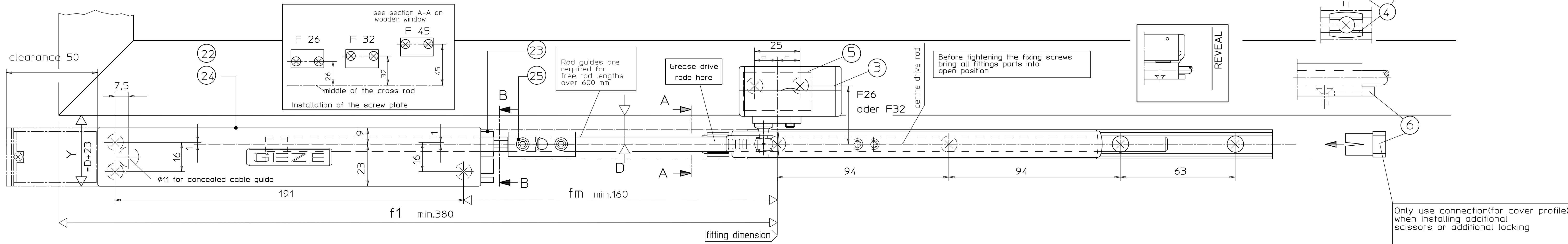
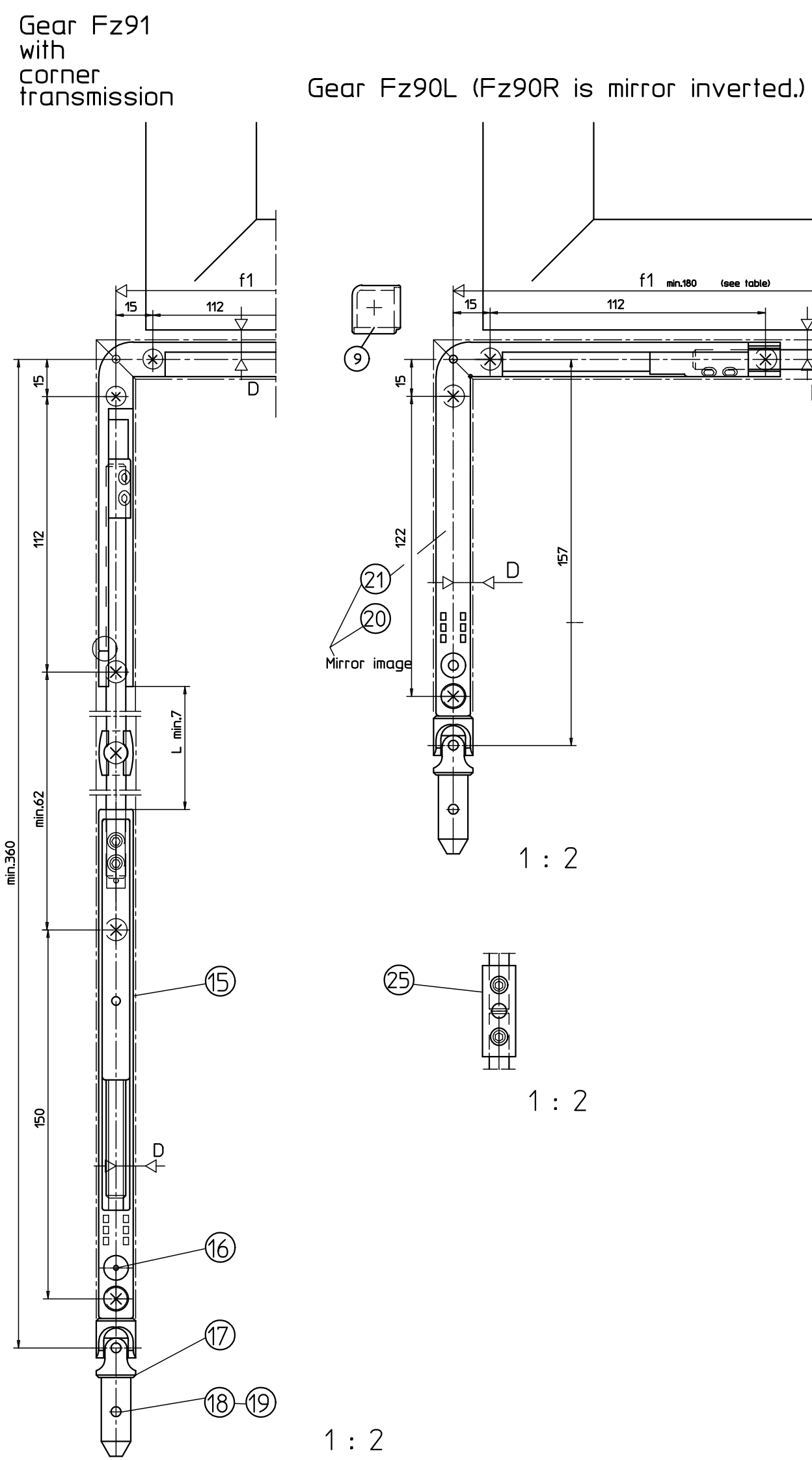


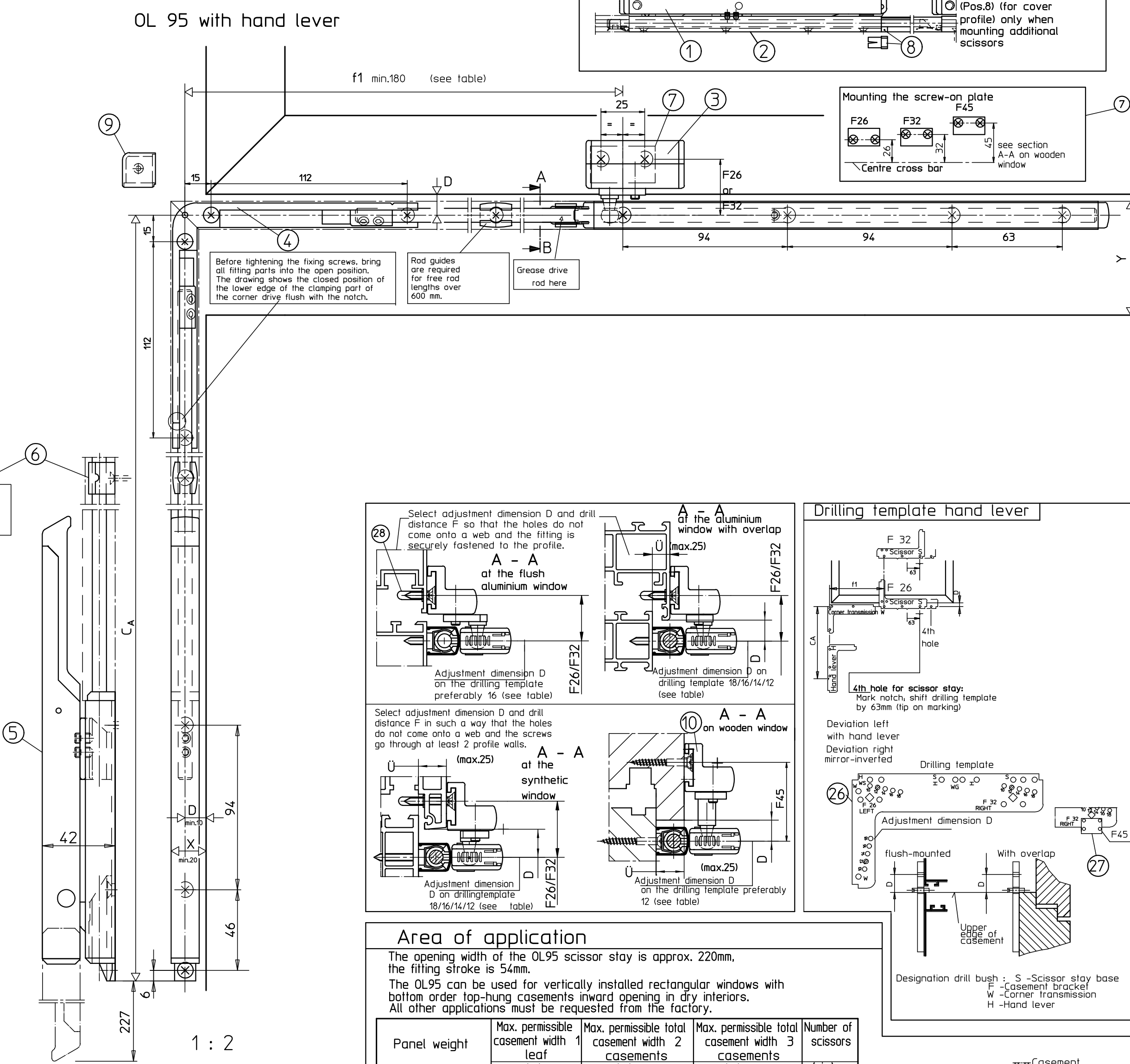
E 212 horizontal



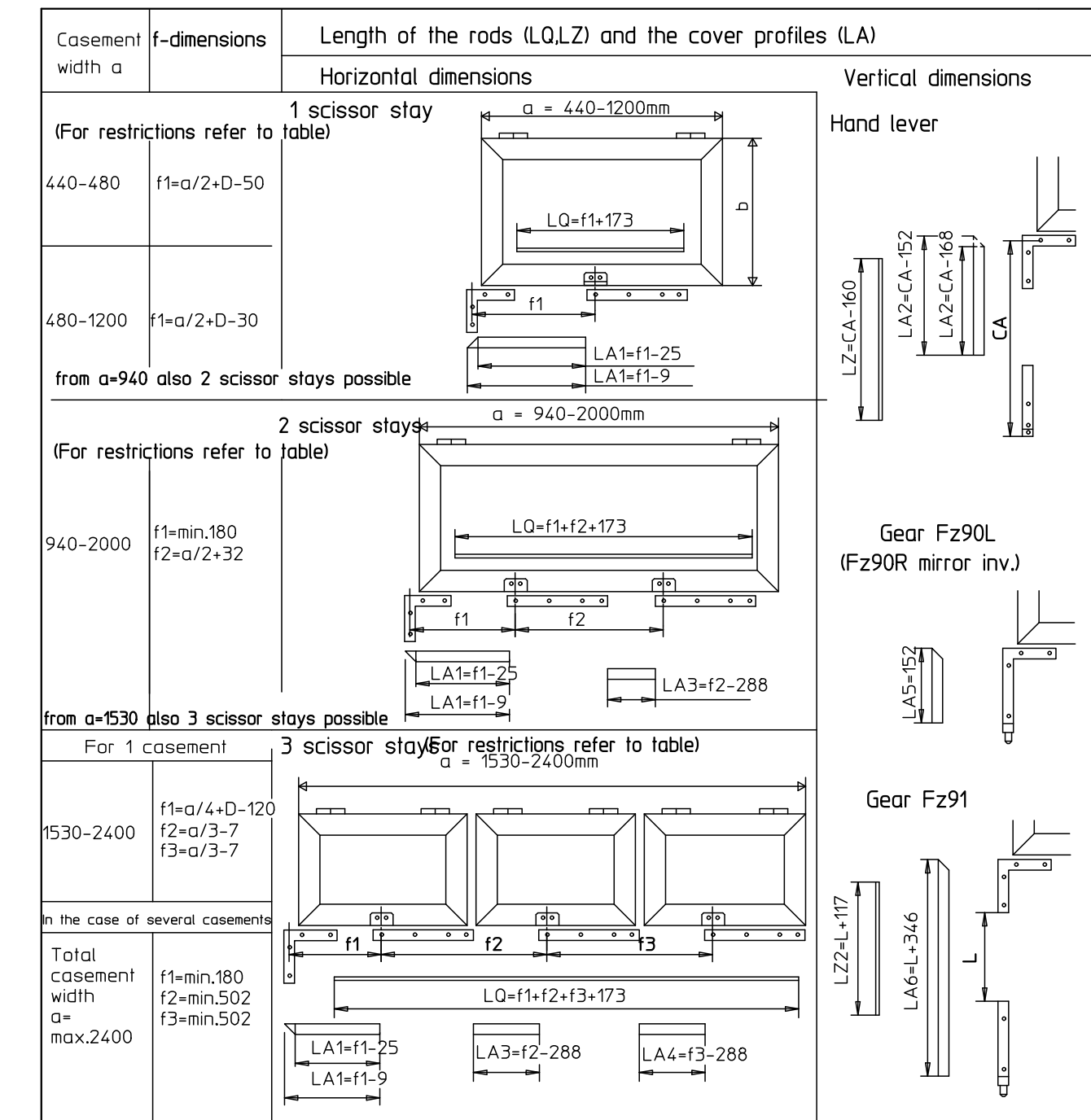
Gear



Hand lever

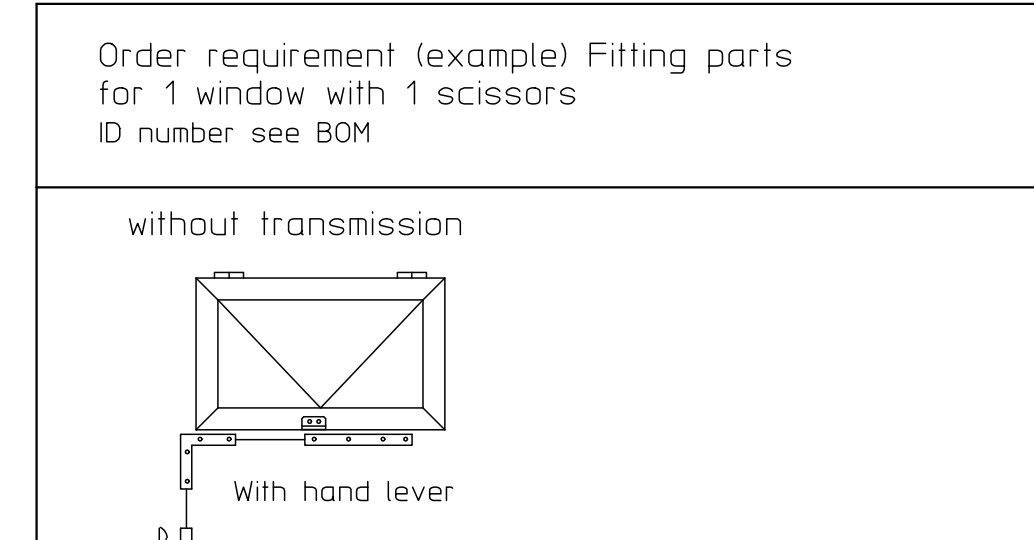


Gear / Hand lever



Mounting elements

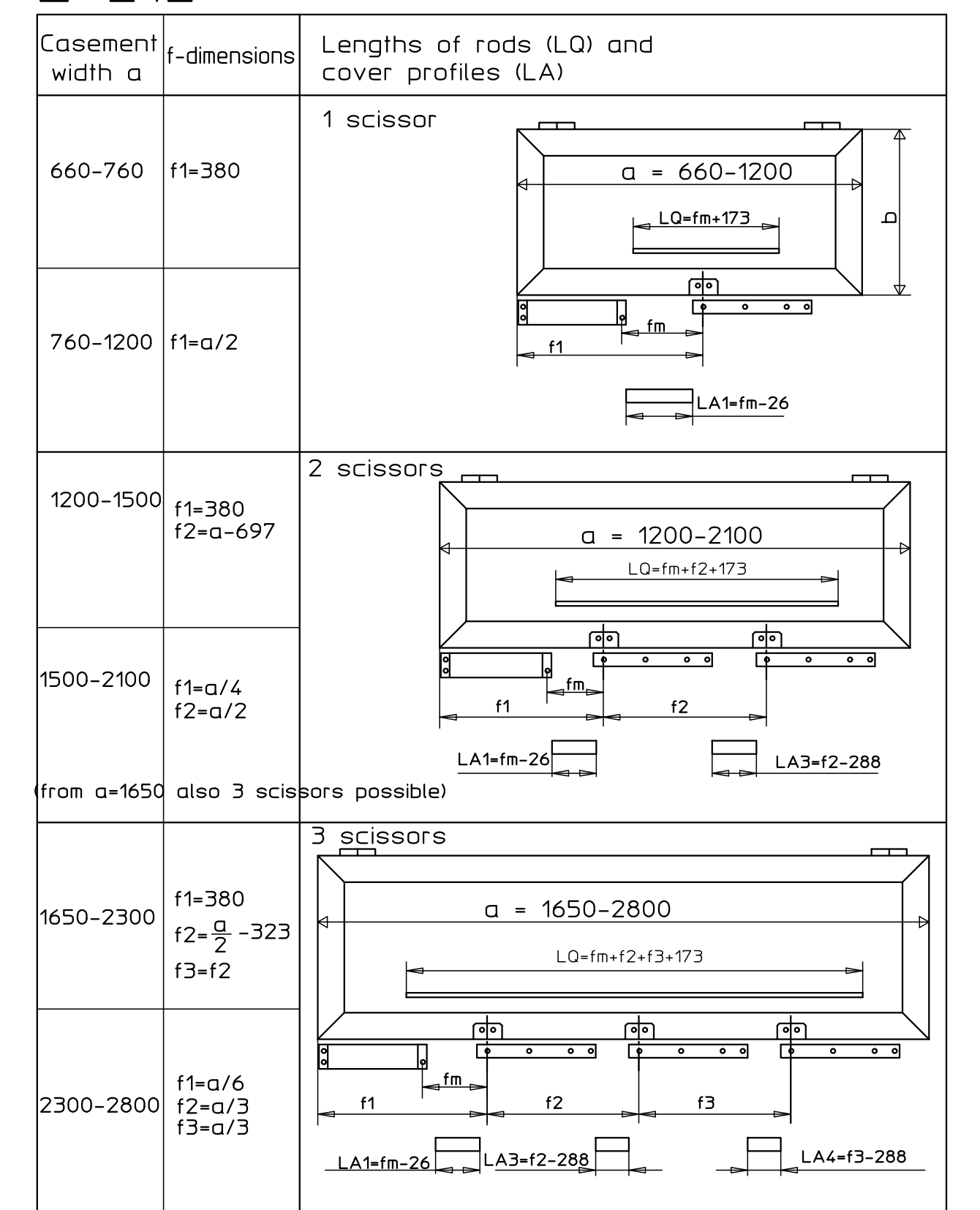
Material	Mounting element	Length
Wood	Countersunk wood screws 4x35	35mm
Aluminum	Countersunk self-tapping screws 4x24	35mm
Aluminum	Countersunk self-tapping screws 4x24	35mm
Plastic	Countersunk self-tapping screws 4x24	35mm



Order requirement (example) Fitting parts

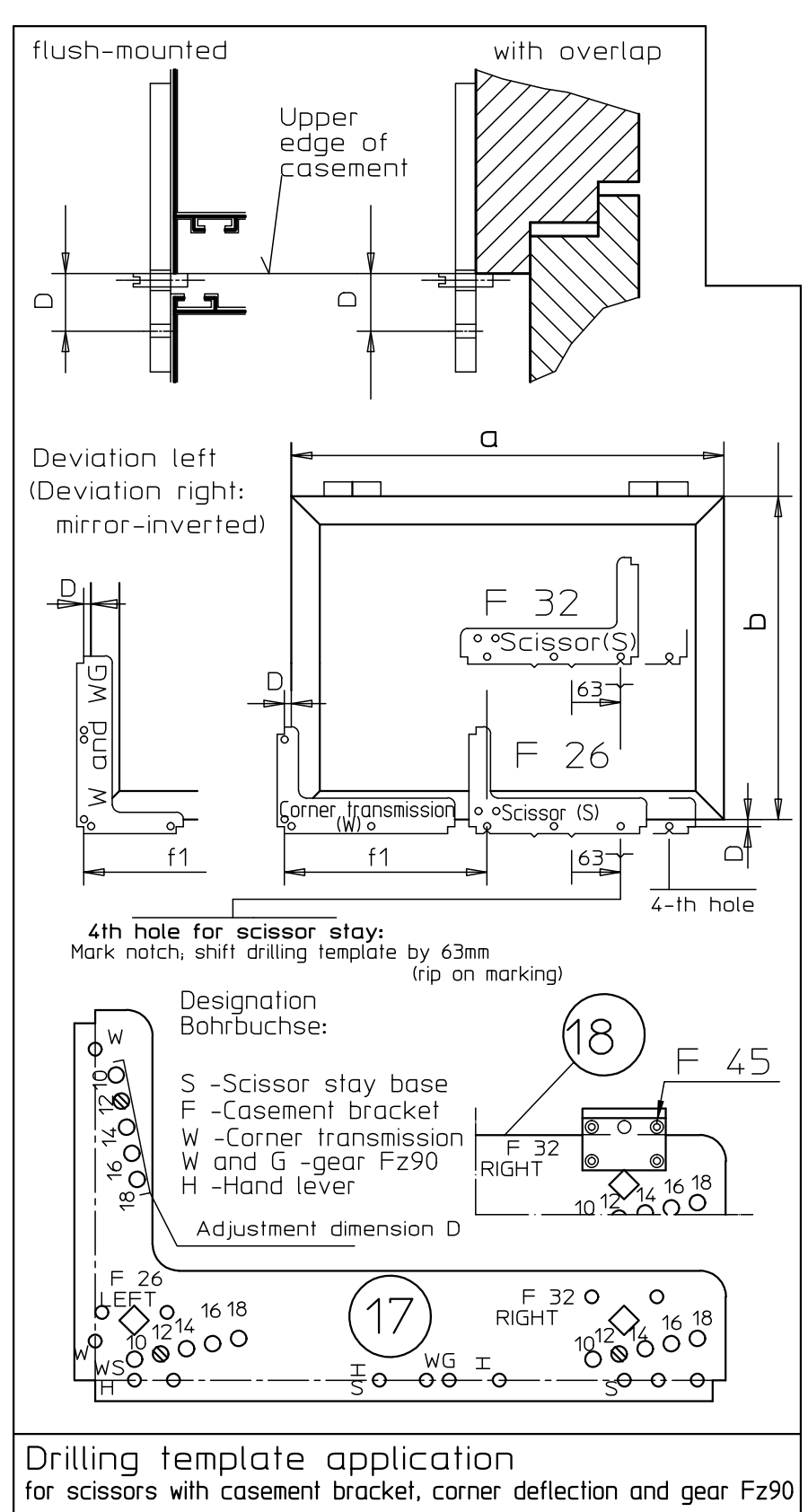
Order requirement for rectangular window OL95N with	Fitting parts (see BOM)										
	A	B	C	D	E	F	G	H	K	L	M
Hand lever			X	X	X	X	X				
Gear Fz 91			X	X	X	X					
Gear Fz 90			X	X	X	X					
E-Antrieb			X	X	X	X					
Electric drive			X	X	X	X					

E 212



Important information:

Installation drawing, installation instructions, maintenance and operating instructions must be observed. The specified area of application must be observed. The prescribed fitting dimensions must be observed. The prescribed mounting elements must be used. In order to avoid injuries protective caps are to be screwed onto projecting threads of the fasteners. Fittings are drawn in the closed position. However, mounting is carried out in the open position. All fixing screws must be tightened in the open position with an Allen key 3x4 with Star. After assembly and before commissioning the function of tightening of fixing screws must be checked, and all fixing screws must be tightened again. The pins and sliding points must be greased with an acid-free grease in accordance with DN 9825. The free accessibility of the lifting parts for greasing and maintenance must be ensured in accordance with DN 9857. If rods and cover profiles from other manufacturers are used, GEZE assumes no warranty and no liability for the resulting damage and consequential damage. From a free rod length of 600mm, rod guides must be used. For assembly observe dimension 'U' from the end of the scissors bearing to the reveal $D = 16 \text{ mm}$.



Area of application

The opening width of the OL 95 scissor stay is approx. 220mm. The fitting stroke is 34mm. The OL 95 can be used for vertically installed rectangular windows with bottom order top-hung casements inward opening in dry interiors. All other applications must be requested from the factory.

Panel weight	Max. permissible casement width 1		Max. permissible total casements with 2		Max. permissible total casements with 3		Number of scissiors (1/n)
	mm	mm	mm	mm	mm	mm	
bis 20 kg/m ²	2000	2000	-	-	-	-	1
bis 25 kg/m ²	1100	2400	2400	2200	-	-	1
bis max.30 kg/m ²	1600	2200	2200	2000	-	-	1

Hand lever

Hand lever	D side	Y side
min. 10mm	D = 10mm	